



floor boxes
for raised or concrete floors

Perfect integration!

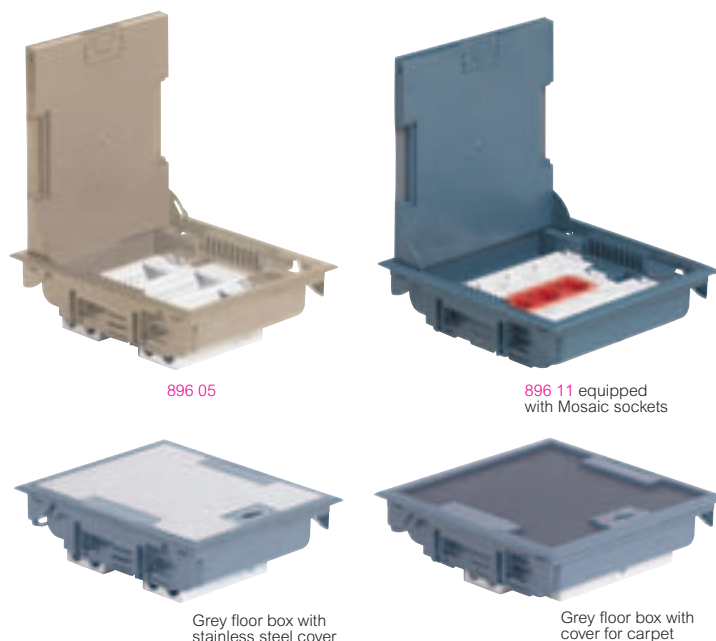
Legrand provides equipment for your raised floors and concrete floor slabs. The floor boxes blend in with the decor and their ergonomic design is tailored to users' requirements



> 2 ranges: adjustable height (75 to 105 mm) and reduced height (65 mm) for low service spaces

> Reversible cover that can be covered (carpet, vinyl, parquet, etc.) and is easy to open (no tool required)

> Floor boxes available in custom-made solutions for all specific requirements, please consult us



896 05

896 11 equipped with Mosaic sockets

Grey floor box with stainless steel cover

Grey floor box with cover for carpet

Conform to standard NF EN 60-670
Workstation connection for raised floor or concrete floor (using plastic underfloor box, see p. 743 or metal, see p. 745)
Supplied with reversible stainless steel cover or cover for carpet
For technical space ≥ 75 mm

Mounting boxes (for horizontal wiring device positioning):

- height adjustable from 75 to 105 mm
- ensures perfect cable separation
- takes 2 flexible conduits $\varnothing 20$ mm
- offset one from another for optimal connection for all sockets
- takes marking labels

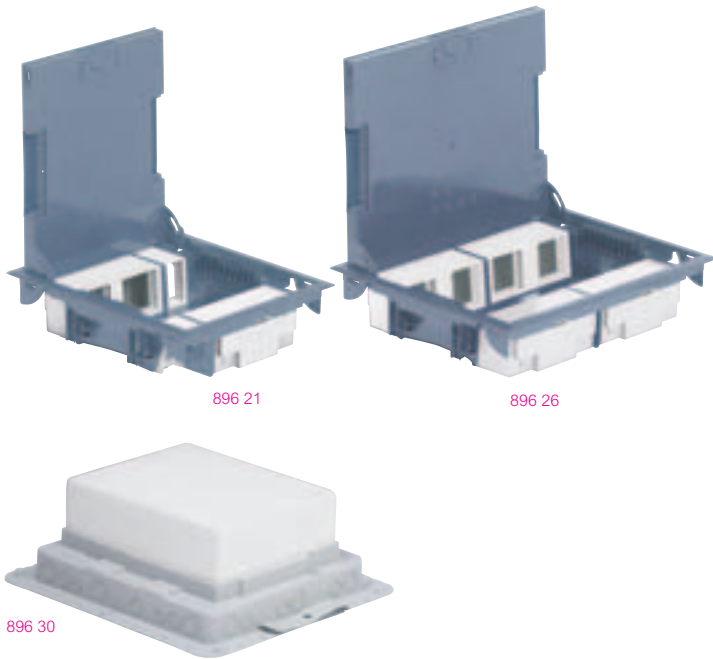
Easy opening cover by rings and holding in open position during connection

Pack	Cat.Nos	With adjustable height from 75 to 105 mm to be equipped	
		Floor boxes equipped with empty mounting boxes To be equipped with Mosaic wiring accessories	
		12 modules	
1	896 05	With stainless steel cover Grey RAL 7031	
1	896 06	With cover for carpet Grey RAL 7031	
1	896 07	With cover for carpet Beige RAL 1019	
		18 modules	
1	896 10	With stainless steel cover Grey RAL 7031	
1	896 11	With cover for carpet Grey RAL 7031	
1	896 12	With cover for carpet Beige RAL 1019	
		24 modules	
1	896 15	With stainless steel cover Grey RAL 7031	
1	896 16	With cover for carpet Grey RAL 7031	
1	896 17	With cover for carpet Beige RAL 1019	

Plastic underfloor boxes for concrete floors
(p. 743)

NEW

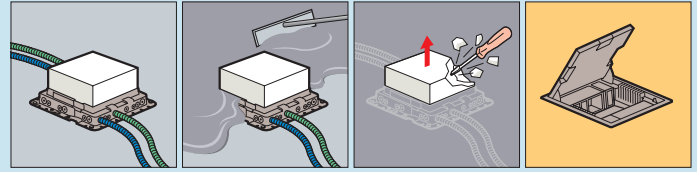
floor boxes and underfloor boxes for raised or concrete floors



floor boxes and underfloor boxes for raised or concrete floors

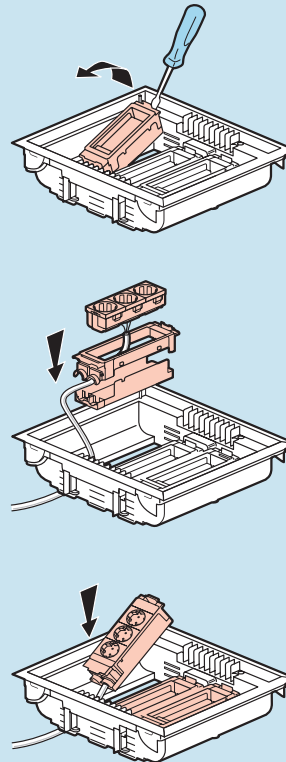
Installation principles

Installation

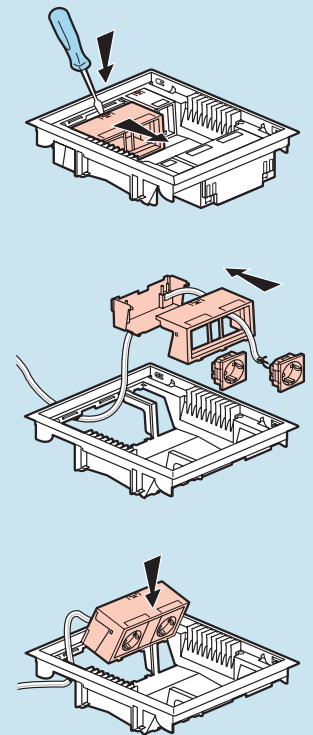


Positioning wiring accessories

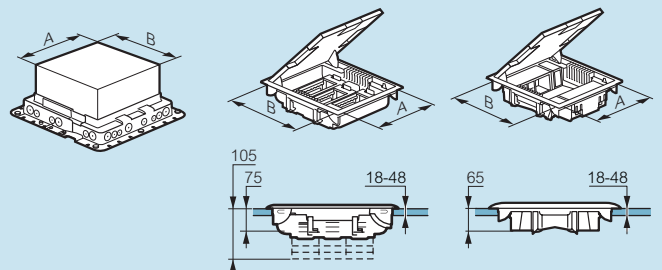
In floor boxes with adjustable height 75 to 105 mm



In floor boxes height 65 mm



Choice of plastic underfloor box according to the floor box to be installed



Cat.Nos	A (mm)	B (mm)
896 05/06/07/20/21/22	215	255
896 10/11/12	255	255
896 15/16/17/25/26/27	310	255

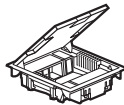
Floor boxes with height reduced to 65 mm

Conform to standard NF EN 60 670
For technical space ≥ 65 mm
For renovation with reduced height technical floor or for concrete floor
Supplied with reversible stainless steel cover or cover for carpet or parquet
Mounting boxes (for vertical wiring device positioning):
- supplied with blanking plates requiring sufficient space between the sockets if angled plugs are used
- to be equipped with 2 module Mosaic socket outlets (see p. 624, 625)
- takes marking labels
- ensures perfect cable separation
Easy opening cover by rings and holding in open position during connection

10 modules to be equipped

For installing 4x2 modules Mosaic and 2x1 module Mosaic

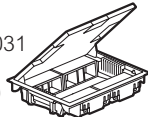
- 1 **896 20** With stainless steel cover, grey RAL 7031
- 1 **896 21** With cover for carpet, grey RAL 7031
- 1 **896 22** With cover for carpet, beige RAL 1019



16 modules to be equipped

For installing 8x2 modules Mosaic

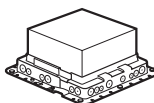
- 1 **896 25** With stainless steel cover, grey RAL 7031
- 1 **896 26** With cover for carpet, grey RAL 7031
- 1 **896 27** With cover for carpet, beige RAL 1019



Plastic underfloor boxes

For integration of floor boxes in concrete floor installations
Power supply by flexible conduits $\varnothing 16$, 20 and 25 mm
Supplied with polystyrene for easy installation (see opposite)

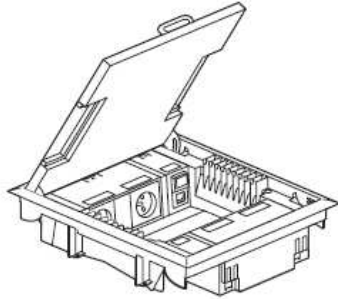
- 1 **896 30** For integration of floor boxes 12 modules, or floor boxes with reduced height 10 modules
- 1 **896 31** For integration of floor boxes 18 modules
- 1 **896 32** For integration of floor boxes 24 modules, or floor boxes with reduced height 16 modules



Metal underfloor boxes (p. 745)

Floor boxes with height reduced to 65mm

Number(s) : 896 20/21/22/25/26/27



CONTENTS	PAGES
1.Range	1
2.Fixing	2
3.Technical characteristics	2 to 3
4.Material characteristics	3

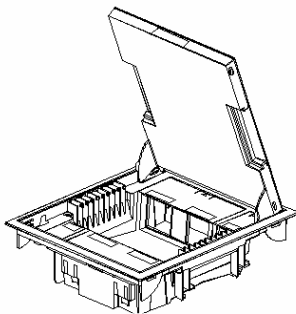
1 RANGE.

Floor boxes allow :

- Energy and data supply for working stations by the ground
- The use of various types of coatings like carpet, vinyl, parquet floor or tiling up to 10mm high.

They also bring ideal solution for concrete floor or technical floor for renovation.

Floor boxes with height reduced to 65mm.

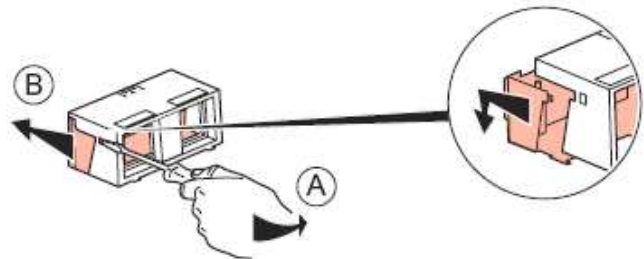


For technical space $\geq 65\text{mm}$
For renovation of technical floor (or concrete floor) with low depth

- To be equipped with 10 or 16 Mosaic modules wiring accessories
- Boxes are supplied with reversible stainless steel cover or parquet cover with protection shell.
- Easy opening by rings and keeping cover in open position during connection.
- Certified to NF EN 60 670-1
- IP 30/IK07
- color grey RAL 7031 or beige RAL 1019

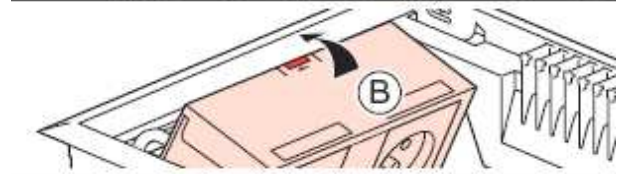
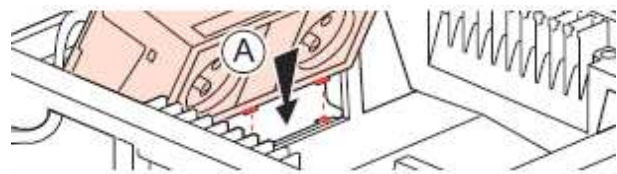
1 RANGE (continued)

Mounting boxes :



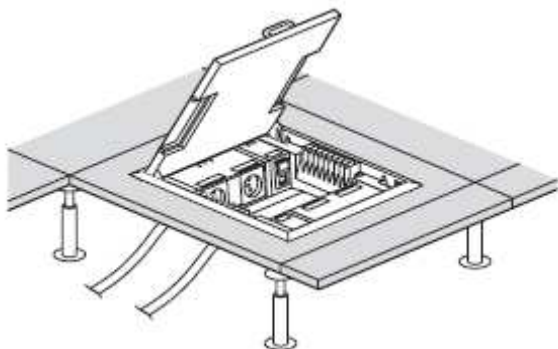
- To be equipped with 2 modules Mosaic sockets
- For vertical positioning of wiring accessories
- They are supplied with blanking plates requiring sufficient space between the sockets if angled plugs are used.
- They can take marking labels.
- They ensure perfect cable separation.

Installation of mounting boxes after wiring :

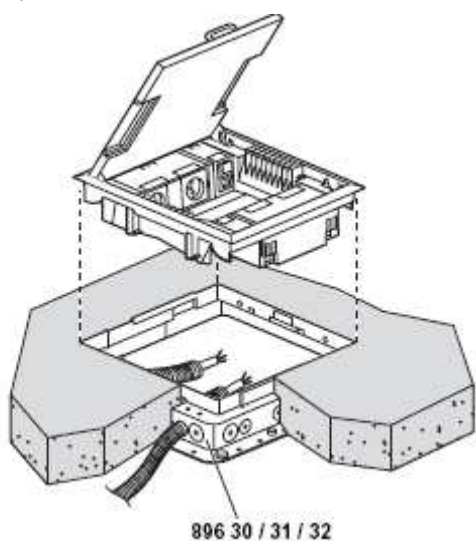


2 FIXING.

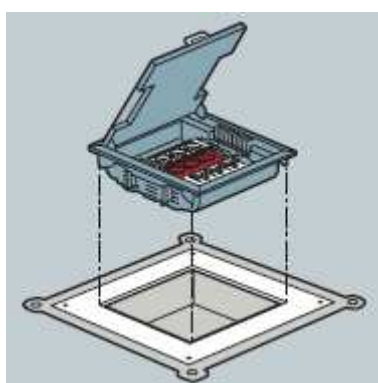
Into technical floor :



Into plastic under-floor boxes :

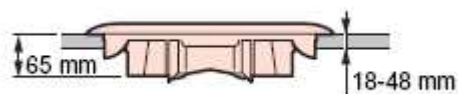


Into metal under-floor boxes number 89634 :

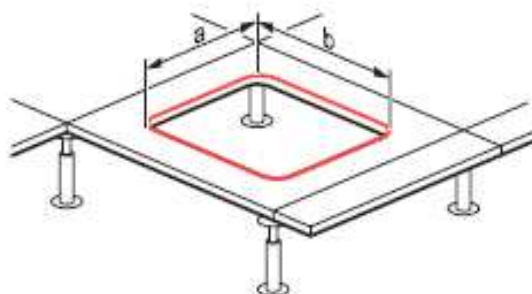


3 TECHNICAL CHARACTERISTICS

Minimum height required is 65 mm.



Dimensions of floor boxes with height reduced to 65 mm :



Technical floor is cut out according to floor boxes numbers :

	a (mm)	b (mm)
896 20/21/22	215	255
896 25/26/27	310	255

If you want to know exact dimensions of floor boxes, please remove 5mm to « b » dimensions and 3mm to « a » dimensions into the list above.

Wiring accessories supports can hold :

2 modules Mosaic sockets :

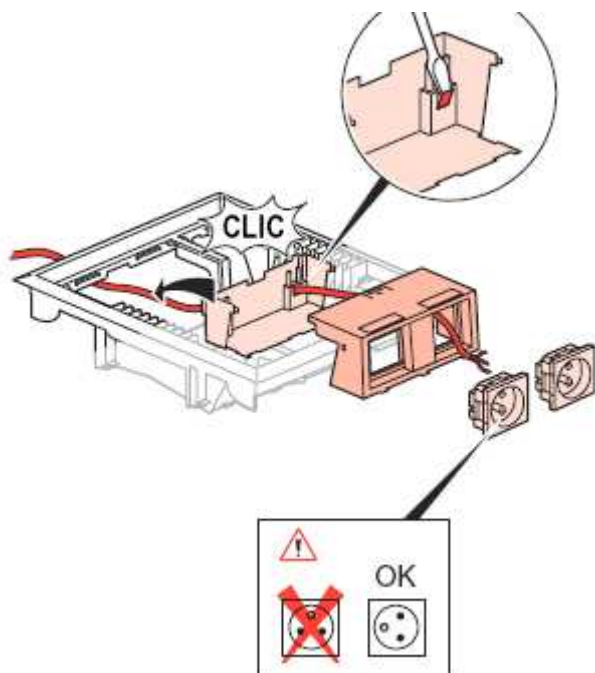


RJ 45 sockets in 1 or 2 modules or pluggable RJ 45 sockets



3 TECHNICAL CHARACTERISTICS (continued)

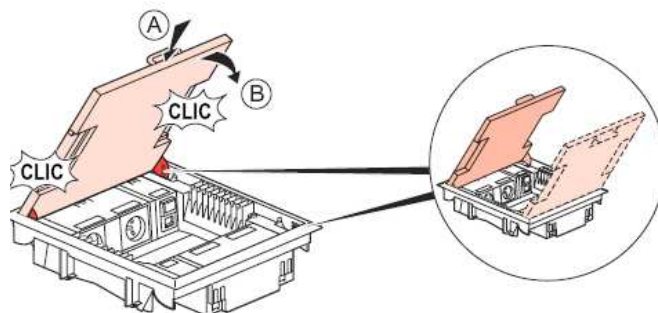
Greenhouse-cable function of supports is only used with cables :



Be careful when positioning sockets in their supports.
(earth electrode on top = side outlet plugs can't be used)

Cover positioning :

Reversible cover can be fastened on each side of the box.

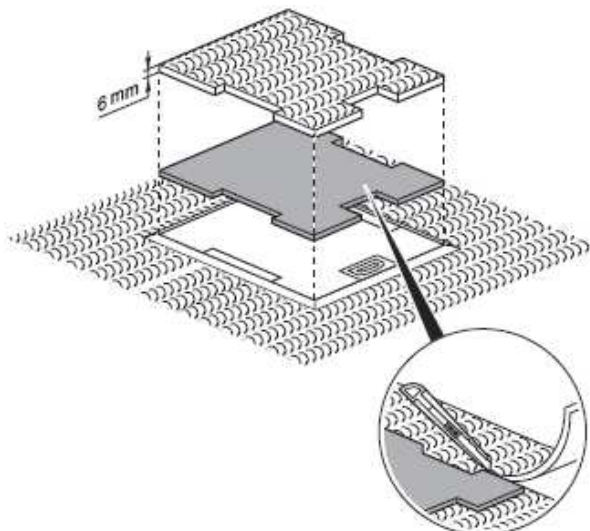


3 TECHNICAL CHARACTERISTICS (continued)

Installation with different coatings :

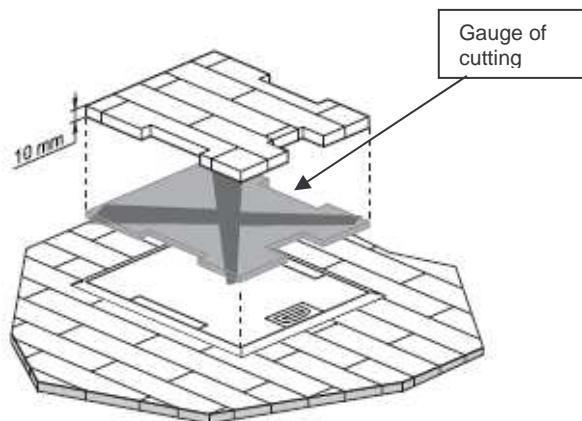
Example with carpet or vinyl :

Gauge of cutting can be used and put under final coating if thickness is lower than 6 mm.



Example with parquet floor :

Gauge of cutting isn't used if thickness of final coating is lower than 10 mm.



Technical information :

Fixing test for apparatus mouting of socket outlets (60°C/81N) :
Comply with norme NF EN 50085-1 2006

Compression test, 500N / 1cm² during 1 min :
Comply with norme CEI 60670-23 (2004)

No degradation after 10000 opening/closing

4 MATERIAL CHARACTERISTICS

Floor boxes are made of polycarbonate with zero halogens.
Temperature of use, transport and stocking :
- 5°C (41°F) / +60°C (140°F)